



# Maavu

Maavu “Mango in Kannada”, is a foldable stool made to harness all the advantages that a mango wood offers





# What is Maavu?



Maavu is a folding stool made out of wood, leather and metal. In this stool, metal and leather hold the mango wood in place to provide the user a unique experience of seating. Wooden planks and legs are connected in such a way that they fold inwards like scissors and become compact to fit into the places where furniture can't go.

Dark mango wood gives stool the whole vibe of strength and rigidness which it also offers as a function. We have used blue leather in between the two planks of stool which compliments the wood to make the stool complete. Lathe turned legs with oval taper makes it even more natural. Metal used in between the legs acts as a member to hold the stool as well as it becomes a flexible joint for the stool to close in when not required.

When the stool is in a closed position, the rectangular slot provided, becomes a space to hold it for carrying.

Process of making the stool is also not complex as the legs are turned in lathe, they come together with another wooden stick. These are connected to the upper two planks using hinges for ease of bending the stool. A stainless steel cylindrical rod is used in the middle of planks to hold the legs and plank together and also acts a pivot for bending the parts.



# Details



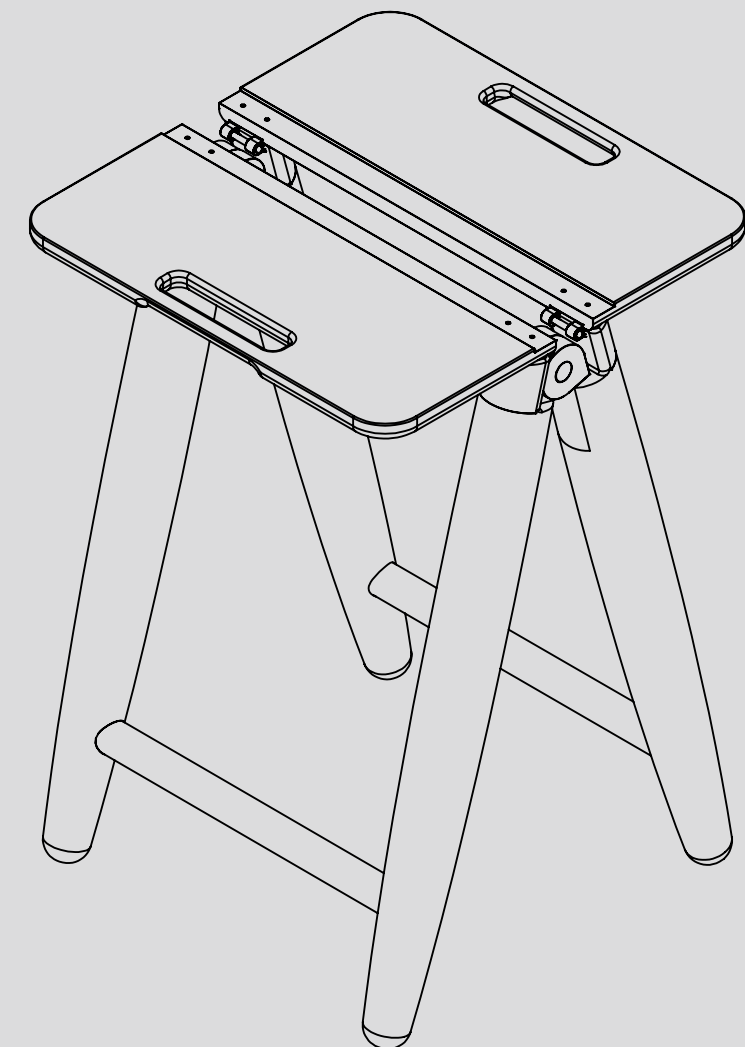
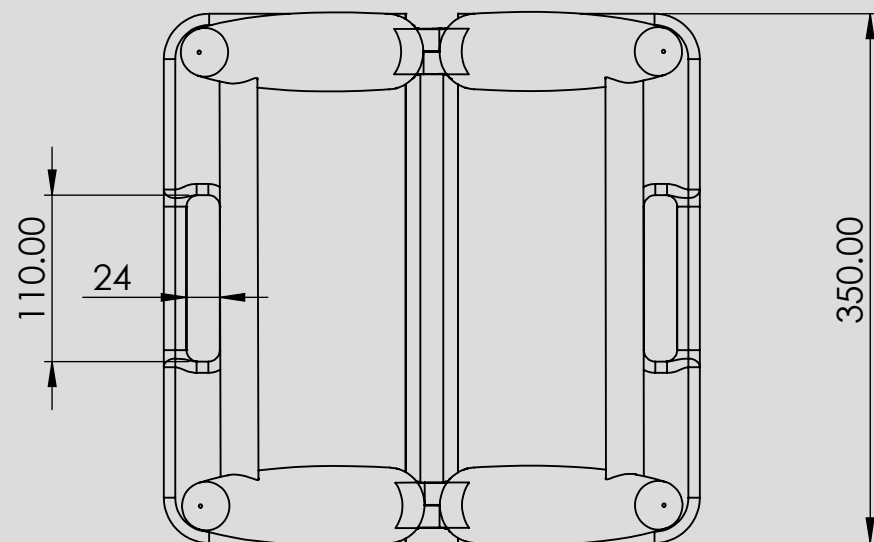
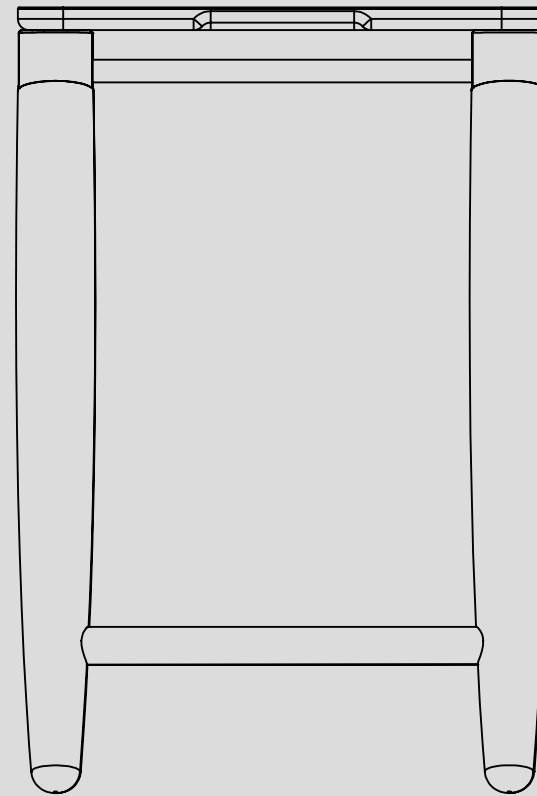
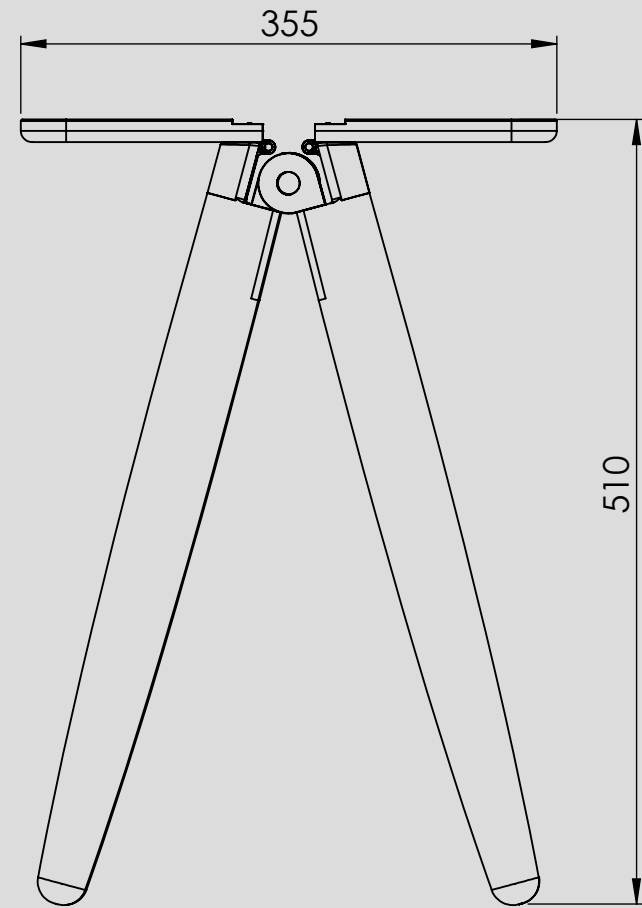
OPEN



CLOSE



# Ortho Drawings





Thank You

